

Texsteam Products

Series 2400 Chemical Injection Pumps

Dresser Natural Gas Solutions Texsteam Series 2400 chemical injection pump is designed to deliver precise amounts of treatment chemicals for oil and gas production facilities, pipelines, process plants, and other applications where a rugged, electrically driven positive displacement pump is required. The Series 2400 chemical injection pump utilizes C-faced motors and gear reducers available in 30 or 60 strokes per minute (SPM) configurations to address a variety of flow and pressure requirements. The Series 2400 pump is available in either a simplex or duplex configuration and has the flexibility to utilize plunger sizes of 1/2", 3/4", 1", or 1-1/4" to accommodate a wide number of pressures, flow rates, or chemicals with one pump assembly.

The Series 2400 pump has a maximum discharge pressure of 4,000 psi (276 bar) using a 1/2" plunger, and a maximum volume of 880 GPD (3,331 LPD) using a 1-1/4" plunger. Each pump body assembly features an eccentric cam assembly gear which requires minimal upkeep due to its oil-less design.

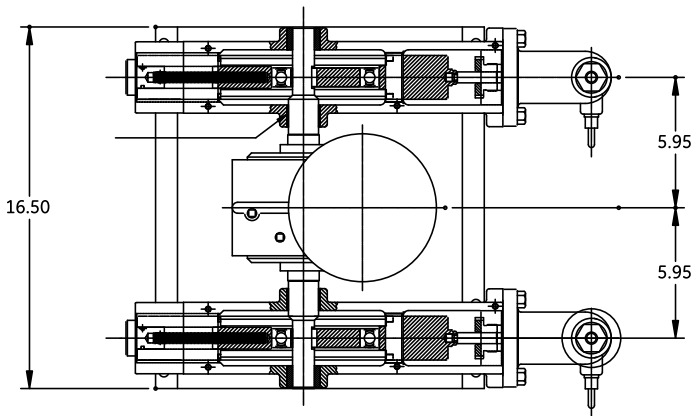


Product Features

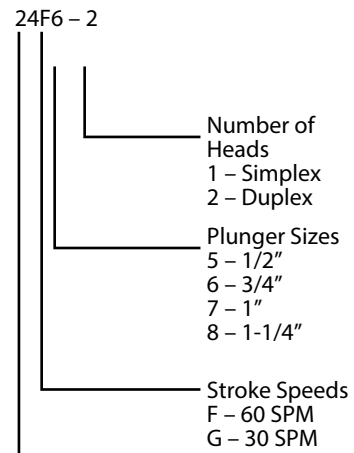
- One horsepower motor is standard, and is available in single or three phase voltages, TEFC or explosion-proof enclosures and suitable for 50 or 60 Hertz applications. Two (2) horsepower motors are also available as an optional selection.
- Each pump head is independently adjustable while running for precise delivery of product, from 0-100 percent of capacity with repeatable accuracy to 1 percent of set point.
- A selection of packing materials is available to address a wide variety of chemical applications.
- Optional ceramic plungers are available for aggressive applications and to provide longer packing life.



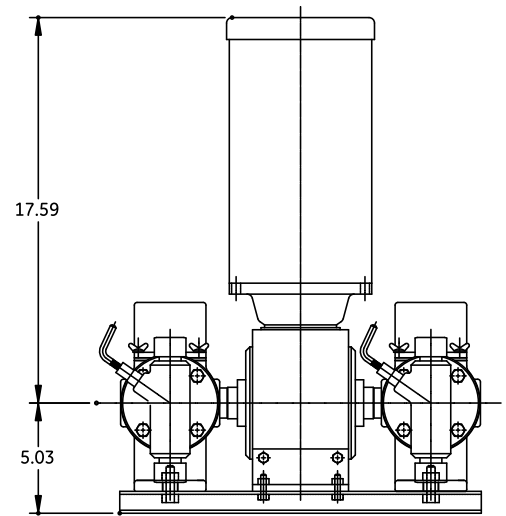
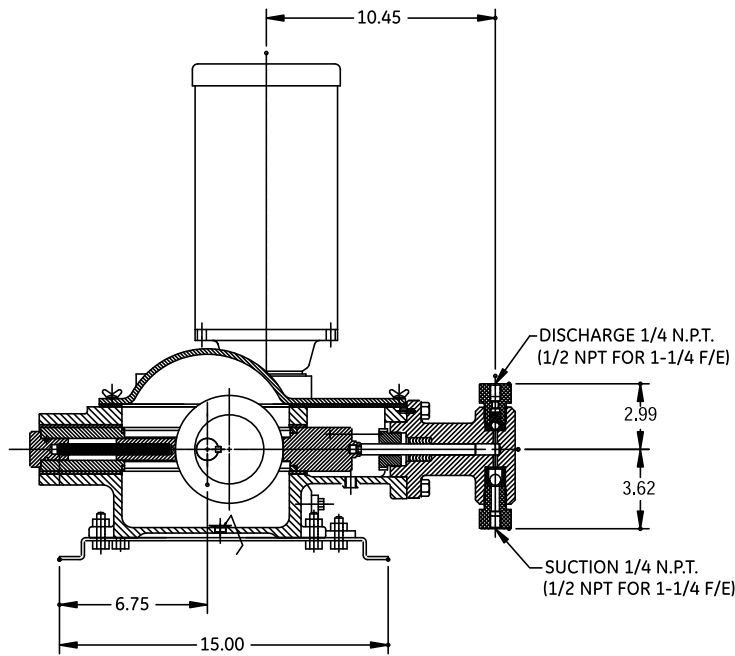
Product Features



Model Designation

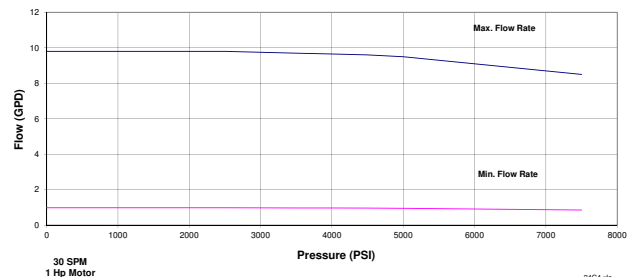
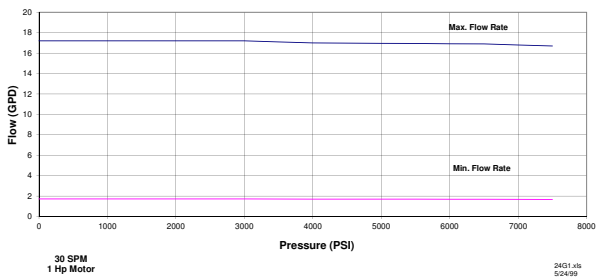


2400 Series



**Texsteam
24G1 (1/4" Plgr)
Capacity Flow Chart**

**Texsteam
24G4 (3/16" Plgr)
Capacity Flow Chart**



Industrial Products Group

Texsteam Pumps

16240 Port Northwest Drive

Houston, TX 77041

T: 832-590-2306

Toll Free: 1-800-945-9898

F: 713-849-2879

The Dresser Logo and all Trademarks containing the term "Dresser" are the property of Dresser, LLC, a subsidiary of Baker Hughes, a GE Company.



www.dresserngs.com

Texsteam 2400 Series Fact Sheet NGS.IPG.0011